

Tolomeo Mini Table LED 3000K - Body Lamp



IP20     

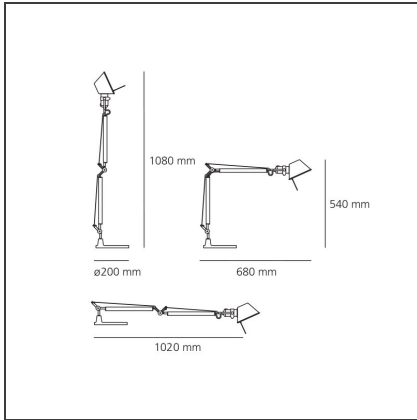
DESIGN BY

Michele De Lucchi, Giancarlo Fassina

DESCRIPTION

Using Led technology, the attention must be focused not only on energy consumption and light efficiency, but above all on the quality and quantity of the distribution of the light. In fact the advantage of the Led is that it emits 100% light flow into the direct hemisphere, eliminating dispersion and waste in other directions. This means that in order to obtain illuminance of 1250 lux on the work surface, with an incandescent light source a power of 100W is necessary, while with a Led source 10W is sufficient, with a 90% energy saving. Base and cantilevered arms in polished aluminium; diffuser in matt anodised aluminium; joints and supports in polished aluminium. System of spring balancing. 5 direct Led. The code is referred to the body lamp only

TECHNICAL DRAWINGS



FEATURES

Article Code:	A005600	Material:	aluminium, steel
Colour:	Aluminium	Series:	Design
Installation:	Table		

DIMENSIONS

Length:	cm 68	Max Extension Length:	cm 102
Height:	cm 54	Impact Resistance:	N/D
Base Diameter:	cm 20	Glow Wire Test:	N/D
Max Extension Height:	cm 108		

INCLUDED SOURCES

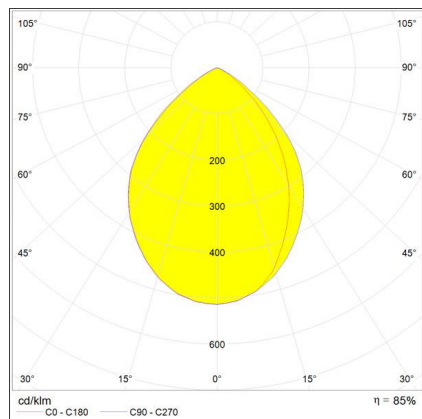
Category:	LED	Color temperature (K):	3000 K
Number:	1		
Watt:	10W		
Type:	0		
Class:	A		

LUMINAIRE

Watt:	10W	Delivered lumens output (lm):	593lm
Voltage:	24V	CCT:	3000K
		Efficiency:	70%
		Efficacy:	59lm/W
		CRI:	90
		Dimmer Typology:	Microswitch Dimmer

Notes

Interchangeable support: table base, clamp, desk fixed support and twin support that allows two independent lamp units to be fitted. Complete lamp consists of body lamp + accessories

LIGHT DISTRIBUTION**ACCESSORIES**

TOLOMEO
MORSETTO
A004100



TOLOMEO BASE D
200 ALL
A008600



TOLOMEO
SUPP.TAVOLO
FISSO
A004200